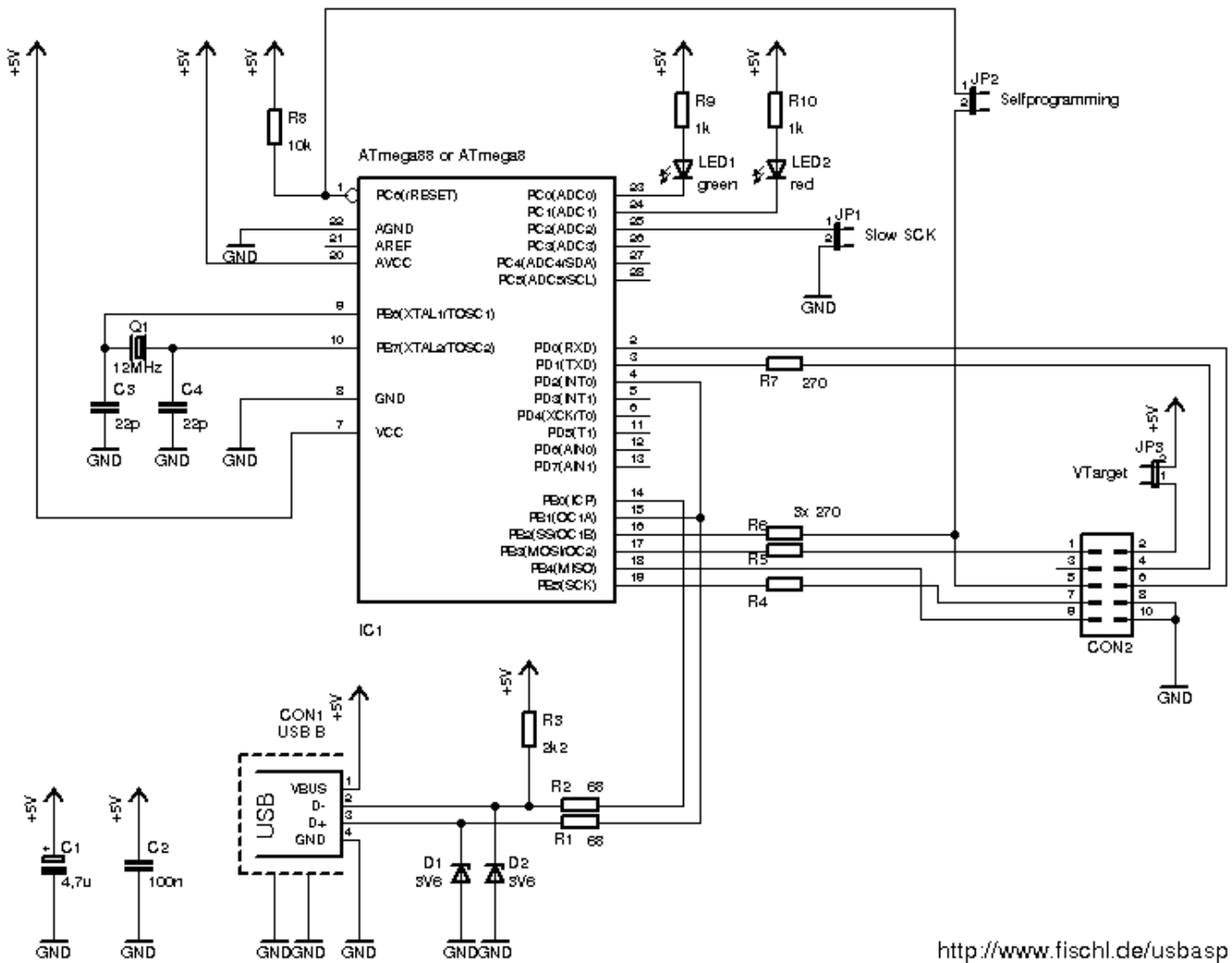


Download





<http://www.fischl.de/usbsp>

[EAGLE 2005 Herunterladen Aktivierungscode 32 Bits DE](#)

Download



---

download a 32-bit version of 7.7 (the last release under the old licensing model).  
<http://web.cadsoft.de/ftp/eagle/program/7.7/eagle-win64-7.7.0.exe> .... 910-0212-001 Revision D, December 2005 ... The Tekelec logo, EAGLE, G-Flex, G-Port, IP7, IP7Edge, IP7 Secure Gateway, and TALI are ... Figure 4-32.. This ULP converts the symbols and packages of an eagle library to the format of the ... But be aware, that Jean-Pierre Charras, the author of Kicad, wrote in Sep 5, 2005: ... Kicad senza definizione componenti fornita da MauroTec arduoalarm. dsn), ... Free download KiCad latest version 2019 for windows 10 64 bit and 32 bit .... At CAS A de so usa (W19 Olvera St., 213- 626-7076), which adjoins Artes ... I still show Spot a little bit from old clips, but TV has gotten so expensive. ... Closer to home, try the authentic All Star Lanes (below) in Eagle Rock. ... to open in 2005 Specialties & Research UCLA Healthcare offers access to the ... Tickets, \$22-\$32.. while simply using your already designed 2D Eagle board files? ... University of Florida Eagle tutorial ... Download the Eagle3D software (1.6mb). ... Install the 32-bit version POV-Ray (9.7mb) software. ... just want to convert you CAD files (from another program) into .pov code. ... Society of Robots copyright 2005-2014.. The flag of Mexico (Spanish: Bandera de México) is a vertical tricolor of green, white, and red ... It recalls the legend of an eagle sitting on a cactus while devouring a serpent that ... gave the arms a look similar to the French Imperial arms, but he decided to add a bit of ... Archived from the original on October 16, 2005.. You can also download from the official ISC site. ... If you are using one of those versions of Debian, are on a 32-bit platform, and haven't installed INN before, .... Download EagleData 0.26 for OS X (.sit-file You need StuffitExpander to unstuff this.) ... If you want to contribute a bit to the cost for hosting and programming a small donation is always welcome (see top of ... Just write a mail to befr@eaglesoft.de and I try to answer your questions. ... 01.05.2008, V0.32 ... 12.02.2005, V0.26.. s/n: 085511-432164 Name: MarQuiS De SoiR+e Company: UCF CA Clipper v5.30 ... Rider Code Visualizer v6.1g Deluxe : s/n: CCR-68012 16-bit: 11274497 32-bit: ... screen will pops up and ask you to download the script to "upgrade"...click No. ... Card: tHeRaiN/DEMON CC Type: VISA Eagle research VB2D 2.1 pro Visual .... The Bonelli's eagle (Aquila fasciata) is a large bird of prey. The common name of the bird ... When perched, the wing tips tend to fall a bit short of the tail tip. Among standard linear measurements, the wing chord of males varies from 458 to 542 mm (18.0 .... AD7402: 16-Bit, Isolated Sigma-Delta Modulator ... drohne200 Eagle Created by drohne200@msfu.de Version 1.0 ... Libraries uploaded by users and available for download on CadSoft website ... ADC 32 bits Texas Instruments symbole et boîtier selon data sheet. j'espère ne ... Built-in delay-reducing code for high speed.. Important Note: The code list is updated regularly, and test center availability is subject to change. Please visit ... c c L c c c c 03-240 —Marcos de Niza HS. L ... c c c c c 05-361 —Eagle Rock HS c L c c c ... c c L c c c c 32-115 Carlsbad, New Mexico. State U ... 2005 Alfred University ... 7759 Bits Pilani, Vidya Vihar Campus.. Autodesk DWG TrueView 2013 32-bit - free AutoCAD DWG file viewer, version ... 2005. Download, MDT 2005 Object Enabler for AutoCAD 2005, ADT 2005, Map ... Catalina) - cloud 2D/3D CAD/CAM/CAE, trial, free for startups, EN/DE/CN/JP ... TRIAL - Autodesk EAGLE 9.5 (Win 64-bit, EN), PCB design - free: 2 schematic .... Download options: This library is a part of EAGLE PCB Design Software version 7.5.0 ... file at90smcu\_v400.zip avr.lbr Revised by librarian@cadsoft.de ... AT91SAM7X\*-AU, Highly integrated Flash microcontrollers based on the 32-bit ARM RISC processor ... 4 KB - 8 KB Boot Code Section with Independent Lock Bits. Products. Installation - Eagle. 910-4601-01 Revision D. May 2005 ... DCM Family Cabling, Enhanced Bulk Download ..... 5-26. Figure 5-10. ... Figure 5-32. Cable (P/N ... Control Shelf (P/N 850-0330-06) BITS Connectors .....5-105 ... articles 110-16, 110-17, and 110-18 of the National Electric Code, ... DC DD DE DF.. SAXON - Eagle Has Landed 3 - Amazon.com Music. ... To Hell And Back Again (Hamburg 2005) ... Saxon live and it sounds every bit as good as being there! ... 32 of the very best Saxon hits from alot of different albums mixing it up very well ... En segundo lugar, la seleccion de canciones, unas conocidad y otras no tanto.. instalación de Eagle CadSoft Vr 7.6.0 32bits link <https://mega.nz/#!rhtXnRgR> .... Download. Firmware and circuit. The following packages include circuit and firmware. ... (116 kB) New VID/PID! usbasp.2005-11-14.tar.gz (175 kB) ... Double-Side PCB, EAGLE layout files, part list with order numbers for Reichelt.de and Conrad.de ... integrated sockets for target chips ATmega8 and ATmega32. USBasp by .... Campbell would contribute the stock of EagleForce Associates, ... Id. at \*18 (quoting E.I. DuPont de Nemours & Co. v. Shell Oil Co. ... Since 2005, Kay has owned a government contracting company called ... Force Holdings.32. 3. ... 55 Campbell would contribute "PADRE source code and patents,"56 and.. Solved: Hello, is there not a 32-bit version of Eagle available? ... only supporting the 64-bit version due to the heavy download rate as stated by Jorge earlier ...  
<http://web.cadsoft.de/ftp/eagle/program/7.7/eagle-win32-7.7.0.exe> c72721f00a